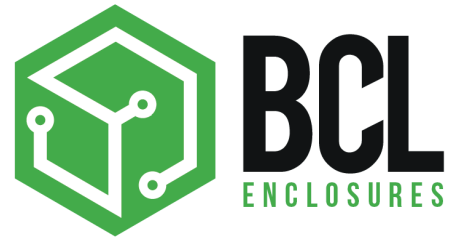


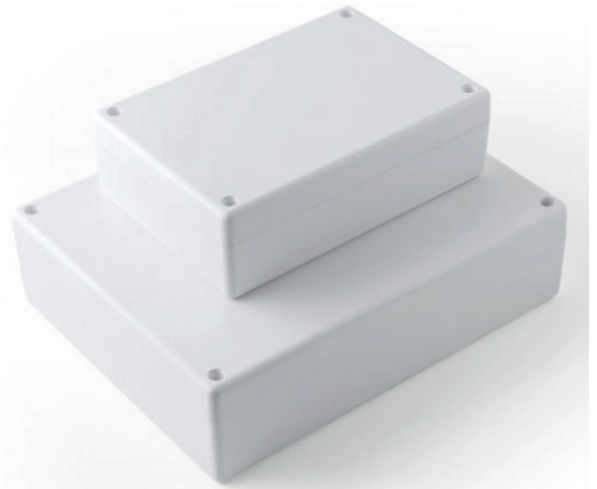
# Technical Information: ADAPTABLE ABS BOXES



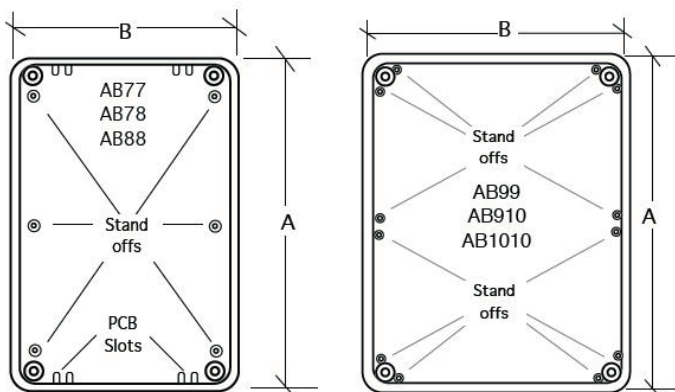
## OVERVIEW

Versatile and attractive boxes in ABS with a matt finish. Their rugged yet simple features make them unobtrusive and ideal for domestic, commercial and office applications. The lid is retained by 4 self tapping screws which can be inserted from either side and can be hidden by the matching plastic covers provided. Integral stand offs are provided in both halves of each box and PCB slots in AB77, AB78 and AB88.

Standard colours are black and white but other RAL colours are available on request.



PART NO	OVERALL DIMENSIONS A (MM)	B (MM)	C (MM)	NOMINAL WALL THICKNESS (MM)
AB77	178	122	36	3.0
AB78	178	122	55	3.0
AB88	178	122	74	3.0
AB99	240	190	40	4.0
AB910	240	190	65	4.0
AB1010	240	190	90	4.0



VIEW OUR ENTIRE RANGE AT [BCLENCLOSURES.COM](http://BCLENCLOSURES.COM)

