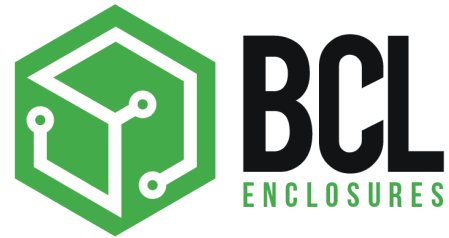


Technical Information: ADAPTABLE ABS BOXES



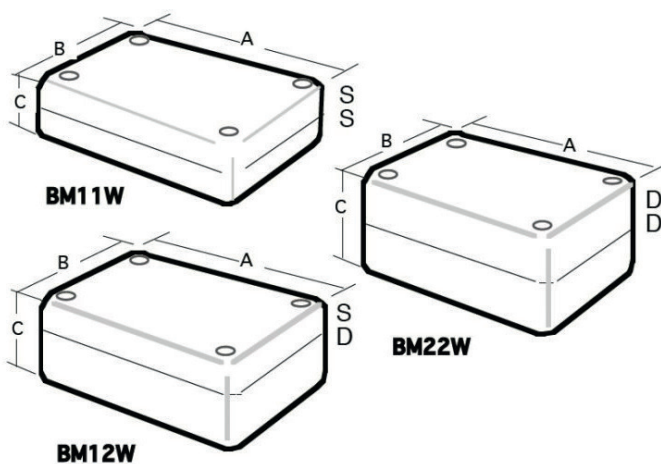
OVERVIEW

Versatile and attractive boxes in ABS with a polished finish. Their rugged yet simple features make them unobtrusive and ideal for domestic, commercial and office applications. The lid is retained by 4 x 3mm countersunk plated screws into brass inserts. Printed circuit board slots are provided in the base of BM12W and in both halves of BM22W.

Standard colours are black and white but other RAL colours are available on request.



PART NO	OVERALL DIMENSIONS A (MM)	B (MM)	C (MM)	NOMINAL WALL THICKNESS (MM)
BM11W	143	82	30	3.0
BM12W	143	82	44	3.0
BM22W	143	82	58	3.0



VIEW OUR ENTIRE RANGE AT BCLENCLOSURES.COM

