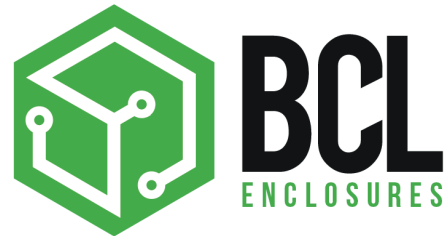


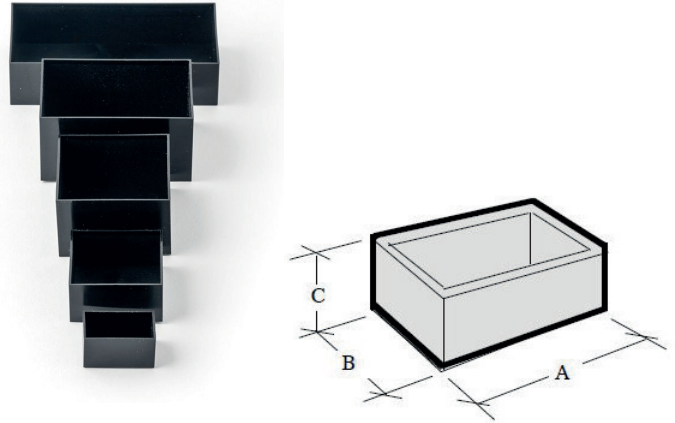
Technical Information: POTTING BOXES PB RANGE



OVERVIEW

These low cost potting boxes are moulded in black ABS and are designed for permanent encapsulation of small electronic circuits.

They can be easily punched or drilled for individual requirements and other RAL colours are available on request.



PART NO	A (MM)	B (MM)	C (MM)	NOMINAL WALL THICKNESS (MM)
PB109	11	11	9	0.5
PB121	21	21	18	0.5
PB110	22	14	12	0.5
PB101	25	20	15	1.0
PB112	25	25	25	1.0
PB1	30	20	15	1.0
PB111	30	30	20	1.0
PB103	40	35	20	1.0
PB2	40	40	20	1.0
PB113	40	40	30	1.0
PB104	50	40	30	1.0
PB3	50	50	30	1.0
PB4	70	50	35	1.0
PB105	75	50	35	1.0
PB114	75	75	40	1.0
PB115	89	64	33	1.5
PB5	100	50	25	1.0
PB106	100	60	25	1.3