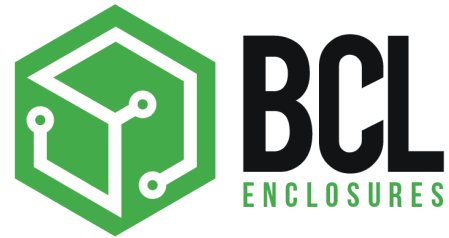


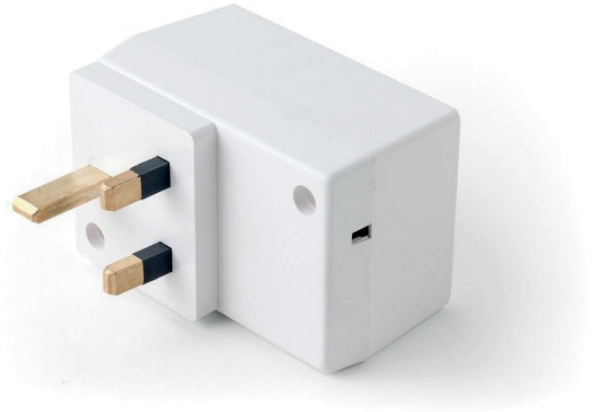
Technical Information: POWER SUPPLY CASES 13A STYLE PLUG-IN POWER SUPPLY CASE



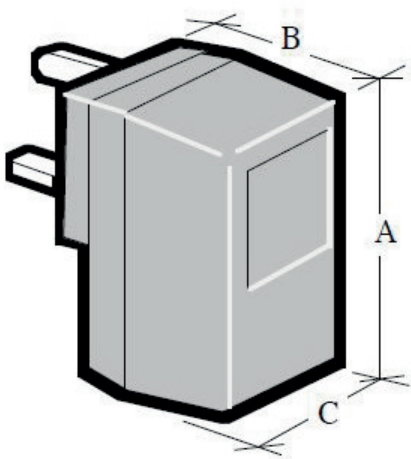
OVERVIEW

A battery eliminator style case moulded in black or white ABS with a choice of either plastic or brass earth pins (MEP). The two halves are held together by two self-tapping screws accessible from the 13A pin side of the case.

Solder spills are provided for direct connection to a transformer.



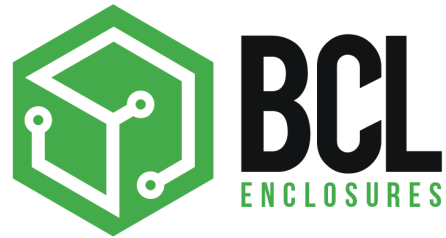
PART NO	A (MM)	OVERALL DIMENSIONS B (MM)	C (MM)	COLOUR	EARTH PIN
PS5	79	50	53	Black	Plastic Earth Pin
PS5W	79	50	53	White	Plastic Earth Pin
PS5WFR	79	50	53	White	Plastic Earth Pin
PS5MEP	79	50	53	Black	Metal Earth Pin
PS5MEPW	79	50	53	White	Metal Earth Pin
PS5MEPFR	79	50	53	Black	Metal Earth Pin



VIEW OUR ENTIRE RANGE AT BCLENCLOSURES.COM



Technical Information: IN LINE POWER SUPPLY CASES



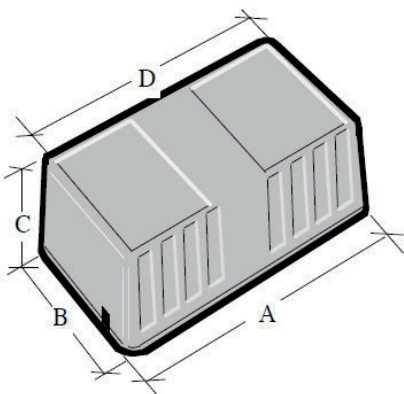
OVERVIEW

PS2 - A power supply style case with attractive rugged appearance moulded in black ABS. The case will house EI54, S35 or S147 size transformers and has space for ancillary components. The top and base are held together by 4 self tapping screws in recessed holes designed to accept standard 9mm self adhesive feet.

Both the PS2 and PS5MEP are available as FR versions manufactured in FLAME RETARDANT ABS.



PART NO	OVERALL DIMENSIONS				COLOUR
	A (MM)	B (MM)	C (MM)	D (MM)	
PS2	117	63	62	112	Black
PS2W	117	63	62	112	White
PS2FR	117	63	62	112	Black



VIEW OUR ENTIRE RANGE AT [BCLENCLOSURES.COM](https://www.bclenclosures.com)

